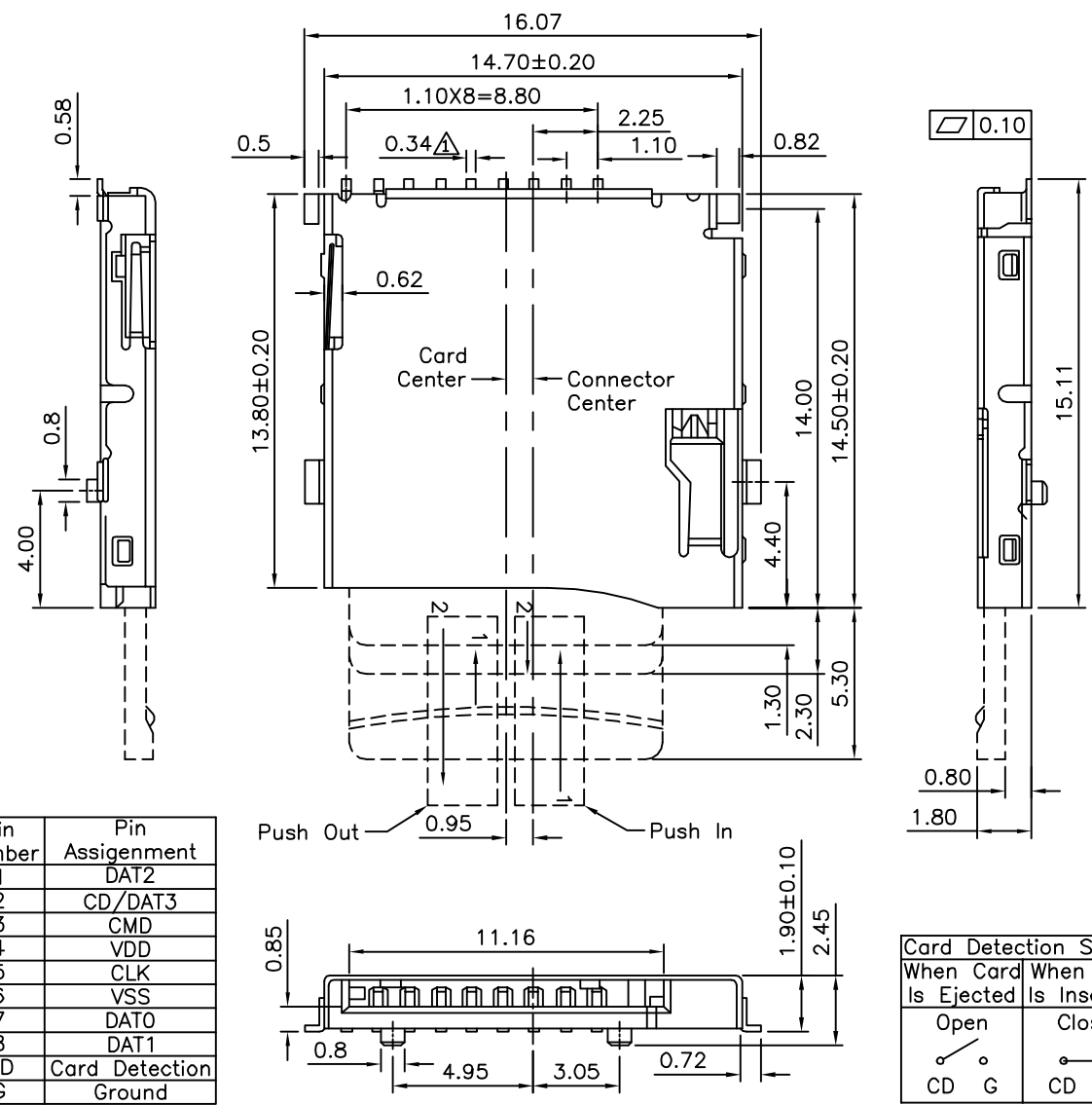
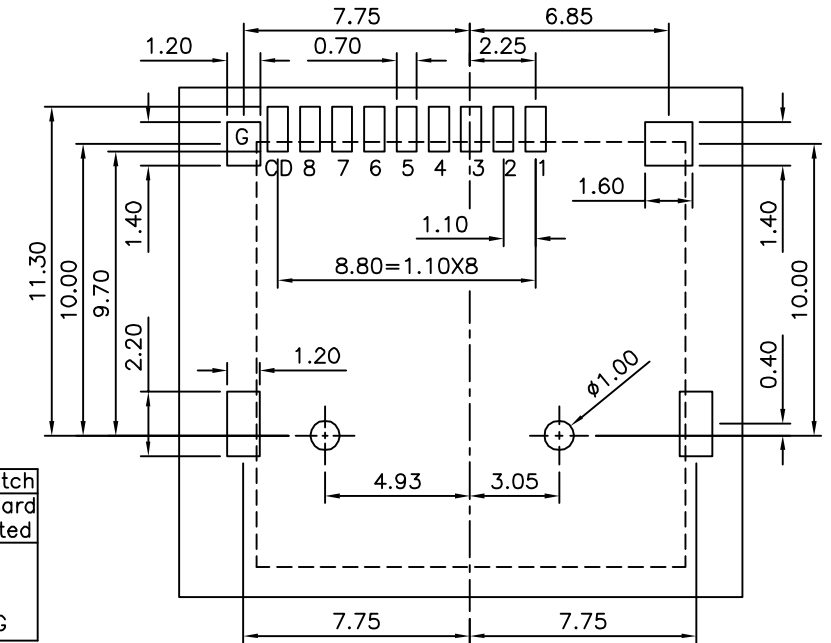
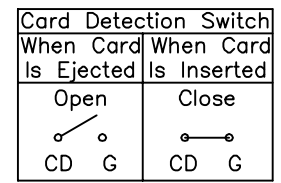


**SPECIFICATION**

- 1. General Characteristics**  
 T-Flash Connector 08Pin SMT 90° Standoff=0  
 Normal Push Push Type Rear Solder Tails Shell Tab  
 Tape & Reel 1000PCS/Reel
- 2. Material&Finish**  
 Insulator:LCP+30%G.F.(UL94V-0),Black  
 Contact:C5191,Gold Flash On Contact Area,Tin Plated  
 On Solder Tails,Over Nickel  
 Shell:SUS301,1/2H,Nickel Plated  
 Gold Flash On Shell Tab
- 3. Electrical Characteristics**  
 Current Rating:0.5A Max. DC  
 Voltage Rating:100V Max. DC  
 Dielectric Withstanding Voltage:500V AC/Minute  
 Contact Resistance:100 Milliohms Max.  
 Insulation Resistance:1000 Megaohms Min. At 500V DC
- 4. Environmental Characteristics**  
 Operation Temperature:-40°C~+85°C  
 (Humidity Range 85% RH Max.)
- 5. Mechanical Characteristics**  
 Durability:5000 Cycles
- 6. RoHS Compliant**



Pin Number	Pin Assignment
1	DAT2
2	CD/DAT3
3	CMD
4	VDD
5	CLK
6	VSS
7	DAT0
8	DAT1
CD	Card Detection
G	Ground

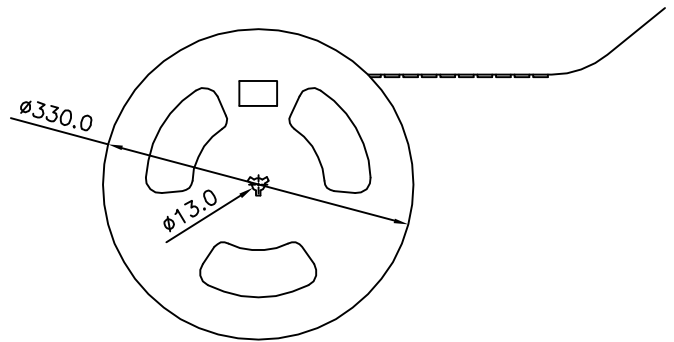
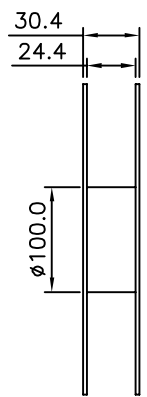
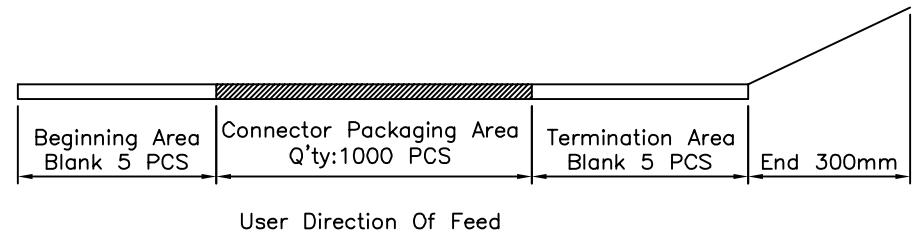
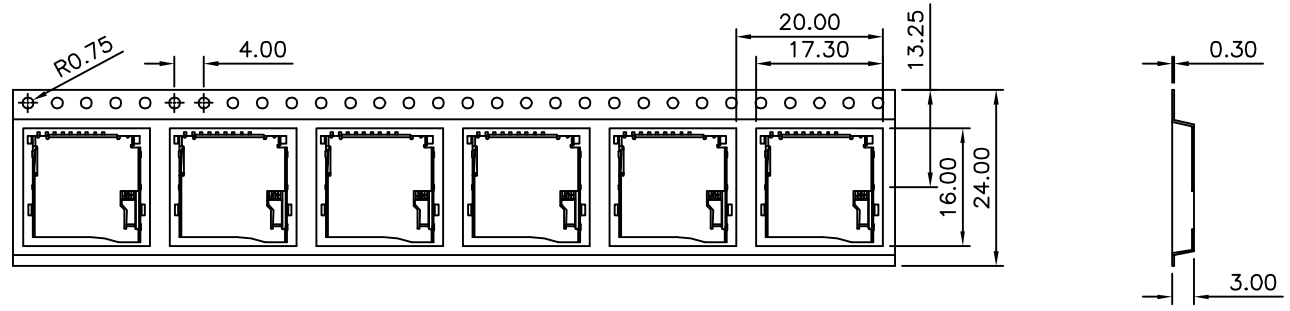


DRAWING No.		APPROVED BY		UNLESS OTHERWISE SPECIFIED TOLERANCES ARE .X ±0.25 .XX ±0.20 .XXX ±0.10 ANG. ±2°
19850		MEI		
		CHECKED BY	HZF	
		DRAWING BY	SONG	
SCALE	NONE	REV.	B2	UNIT mm

NO.	REV.	REVISIONS	CHK	DATE
△B2		Modify Data	HZF	10/07/2013
△B1		Add Dim.	HZF	04/17/2013
△B0		NEW RELEASE	HZF	04/01/2013

**SPECIFICATION**

Reel:PVC,Size:ø330X30.4  
 Tape:PVC,Size:20200X24.00X3.0mm  
 Q'ty:1000 PCS/Reel  
 RoHS Compliant



DRAWING No.		APPROVED BY		UNLESS OTHERWISE SPECIFIED TOLERANCES ARE .X ±0.25 .XX ±0.20 .XXX ±0.10 ANG. ±2.0°
19850		MEI		
		CHECKED BY		
		HZF		
		DRAWING BY		UNIT mm
		SONG		
SCALE	NONE	REV.	B2	

NO.	REV.	REVISIONS	CHK	DATE
△	B2	Modify Data	HZF	10/07/2013
△	B1	Add Dim.	HZF	04/17/2013
△	B0	NEW RELEASE	HZF	04/01/2013