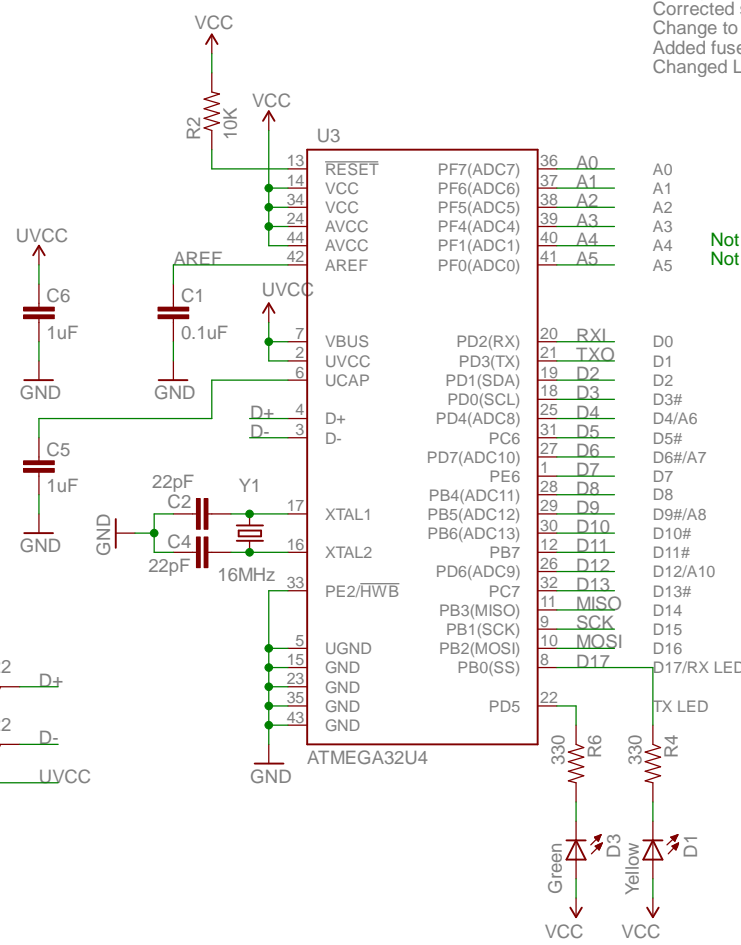
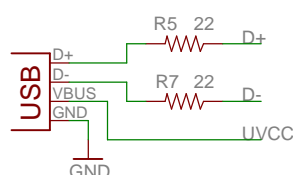
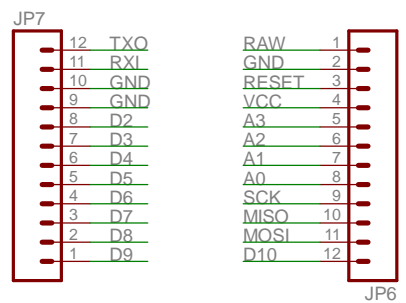


VCC = 5V or 3.3V Output
 Max Voltage Input: 16VDC
 Max Current Output: 500mA

Board is marked with combination of resonator frequency and regulator voltage.



Changes on v1.1:
 Corrected silk on D14
 Change to 500mA regulator
 Added fuse and diode protection
 Changed LEDs to be tied to VCC

Not used
 Not used

Not used
 Not used
 Not used

Released under the Creative Commons Attribution Share-Alike 3.0 License
<http://creativecommons.org/licenses/by-sa/3.0>
 Design by:
 Original Arduino Mini Design by Team Arduino
 Arduino Pro Mini Design by Spark Fun Electronics
 Pro Micro Design by Spark Fun Electronics



⊗	
⊗	
TITLE: Pro-Micro-v11	SFE
Document Number:	REV:
Date: 2011/12/1 18:30:04	Sheet: 1/1