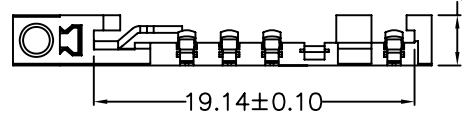
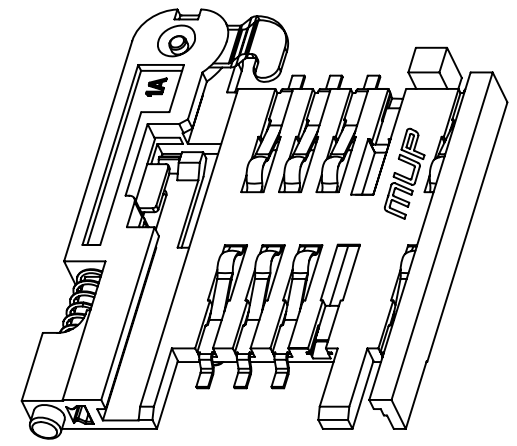
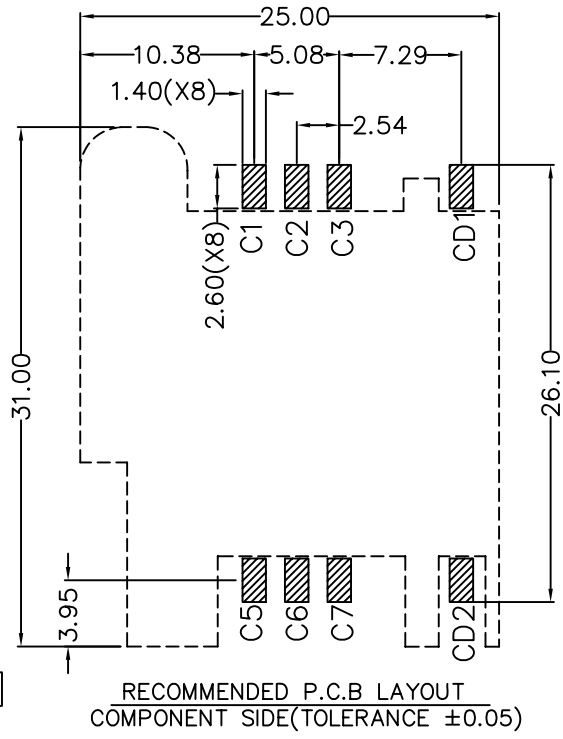
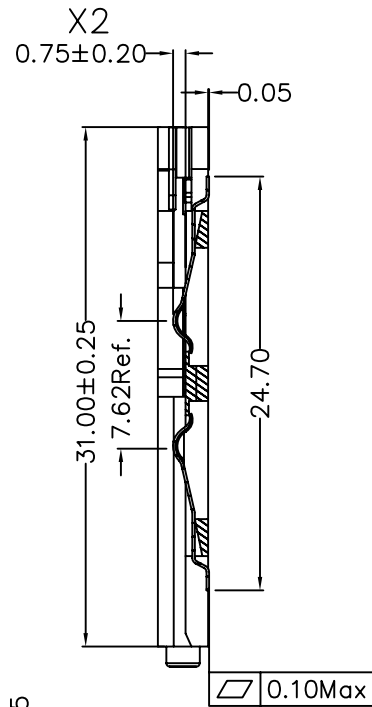
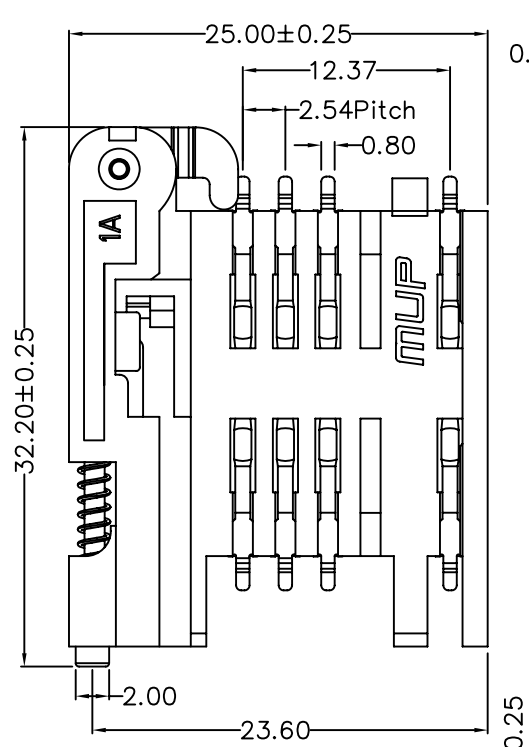
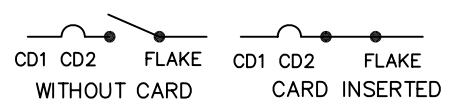


REV.	DESCRIPTION OF REVISIONS	APPR.	DRAW.	RELEASE	DATE
X1	Ooriginal reversion				
X2	修改端子弹高尺寸	Jimmy			2014.09.12



ELECTRIC FUNCTION	DETECT SWITCH
WITHOUT CARD	OPEN
CARD INSERTED	CLOSED



SWITCH OPERATION DIAGRAM

TECHNICAL CHARACTERISTICS

- General Characteristics
Dimensions: 32.20LX25.00WX3.00H mm
Weight: Approx1.60±0.20g
Durability: 5,000 cycles min.
- Electrical Characteristics
Contact resistance: 50mΩ typical,100mΩ max
Insulation resistance:>1000MΩ/500V DC
- Solderability
Vapor phase: 215°C,30sec.Max
IR reflow: 250°C,5sec.Max
Manual soldering: 370°C,3sec.Max
- Environmental Characteristics
Operating temperature: -40°C~+85°C
Operating humidity: 10%~+95%RH

ITEM	PART NAME	Q'TY	MATERIAL	FINISH
1	BASE	1	Hi-temp Thermoplastic	Black UL94V-0
2	DATA CONTACT	8	Copper Alloy	Contact area:Gold plated
3	HANDLE	1	Hi-temp Thermoplastic	Yellow UL94V-0
4	SPRING	1	SWP	
5	POLE	1	Stainless Steel	
6	AXIS	1	Copper Alloy	Ni plated over all
7	TOGGLE LEVER	1	Stainless Steel	

Unless otherwise specified, other tolerance are:

MUP MUP INDUSTRIAL CO.,LTD.

NAME: **SIM Card Connector**

MODEL NO: **MUP-C716**

TYPE: **6pin (without post)**

PROJ.	UNIT	SCALE	DRAWN	Zoey	Oct.10.2006	DWG NO.:	DWG-MUP-C716-002
	mm	1:1	CHECKED	Jimmy	Oct.10.2006	SHEET	1/1
CUSTOMER DRAWING			APPROVAL	Jun	Oct.10.2006	REVISION	X2

